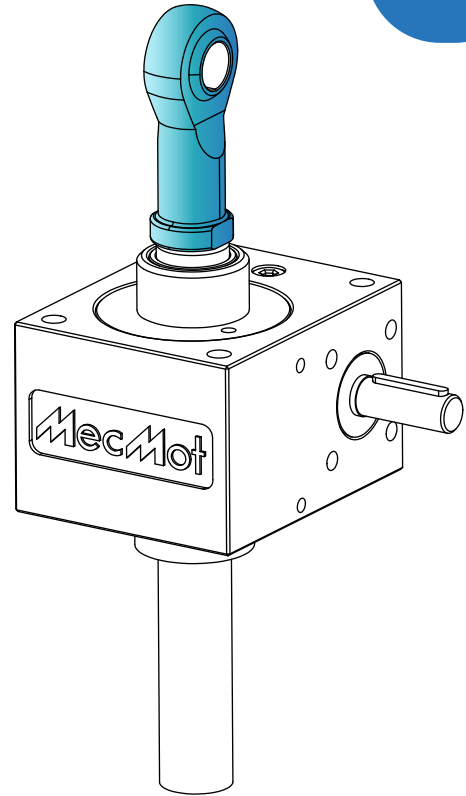
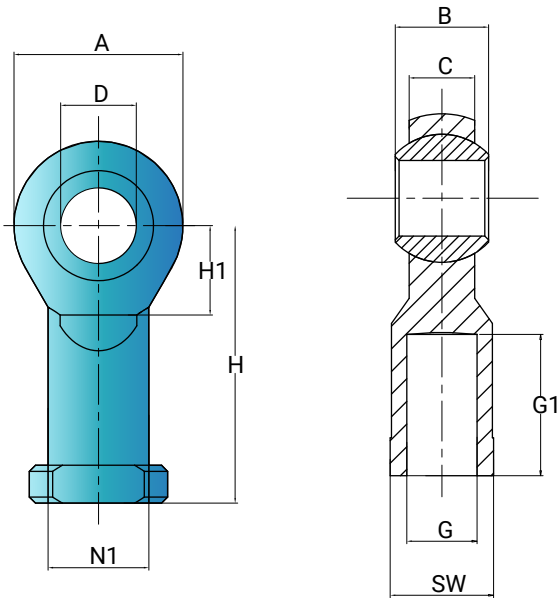




ACCESSORIES

PHS - Rod



Part no.	A	B	C	D	G	G1	H	H1	SW	N1	kg
HM13.01.01	34	10	8	12	M12	23	50	17.5	18	17	0.10
HM13.01.02	40	12	10	15	M14	30	61	20	21	20	0.16
HM13.01.03	53	16	13	20	M20	40	77	27.5	30	27.5	0.32
HM13.01.04	73	22	19	30	M30	56	110	37	41	40	1.00
HM13.01.05	92	28	24	40	M36	65	142	46	60	52	1.90
HM13.01.06	112	35	31	50	M42x2	68	160	56	70	62	3.60
HM13.01.07	160	49	43	70	M56x2	80	200	80	85	80	8.30

Material: Steel, corrosion-resistant
Incl. screws