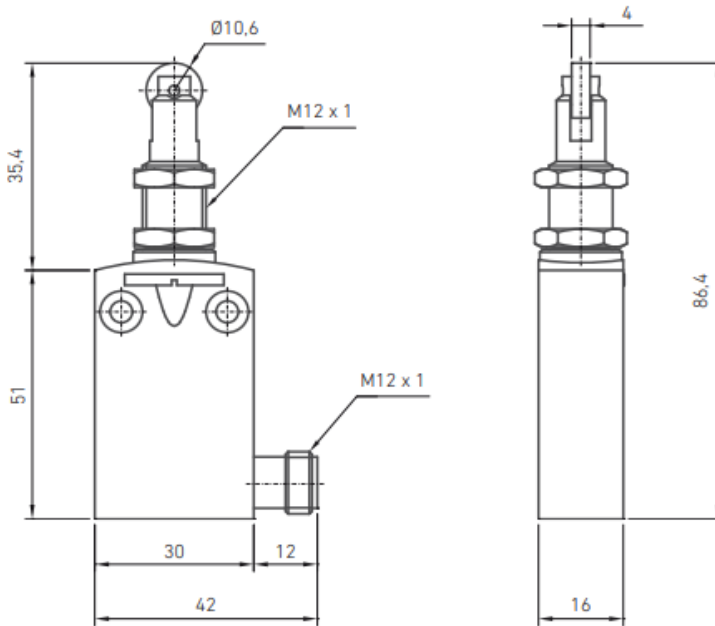


ACCESSORIES

MSW - Mechanical Limit Switch

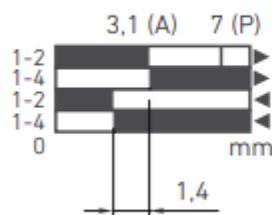
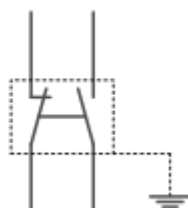
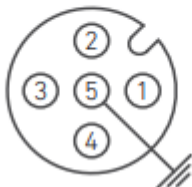
MSW with M12X1 CONECTOR	VK5 VH-S/SI
	VK10 VH-S/SI
	VK25 VH-S/SI
	VK50 VH-S/SI
	VK100 VH-S/SI
	VK150 VH-S/SI
	VK250 VH-S/SI
	VK350 VH-S/SI



M12x1 connector specifications

5 Pin model
Snap switch PNP_NC + NA bipolar input

- 4 A - 60 V
- 1-2 = NC
- 3-4 = NA
- 5 =



Roller-type switching end

